



MODE™

CLICK®
ScolmoreGROUP



Blank Plates



The smooth modern lines of the Mode accessory plate will fit easily into traditional and contemporary designs alike.

Scolmore International Ltd, 1 Scolmore Park, Landsberg, Lichfield Road Ind. Estate, Tamworth, Staffordshire, B79 7XB
Telephone: 01827 63454
E-mail: sales@scolmore.com, technical@scolmore.com
Facsimile: 01827 63362
Website: www.scolmore.com

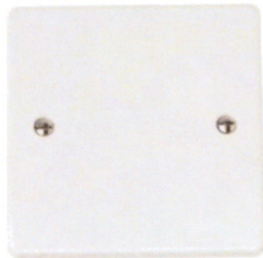


Blank Plates

Product Range

Blank Plates

CMA060	1 Gang Blank Plate
CMA061	2 Gang Blank Plate

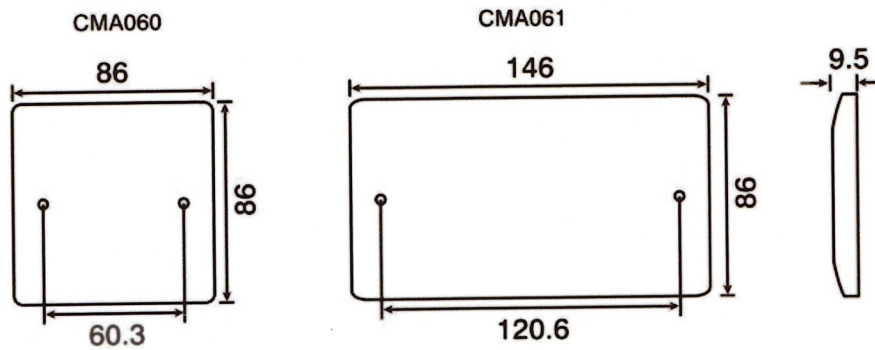


CL060



CL061

Product Dimensional Drawings (mm)



Errors & Omissions excluded. Specification is subject to change without notice

V1.0

Scolmore International Ltd, 1 Scolmore Park, Landsberg, Lichfield Road Ind. Estate, Tamworth, Staffordshire, B79 7XB
Telephone: 01827 63454 **Facsimile:** 01827 63362
E-mail: sales@scolmore.com, technical@scolmore.com **Website:** www.scolmore.com



Blank Plates

Technical Specification

Blank Plates

Material Composition	Front Plate: Urea
Back Box Depth	16mm - 47mm
Warranty	20 Years
Anti Microbial Certified	Yes
IP Rating	IP20
Operational Temperature	-5° to +40°C
Standards	BS 5733 : 2010 + A1 : 2014 Modified ISO 22196

Additional Information

Ensure that the mains supply is isolated before commencing installation and refer to the circuit diagram with the relevant product.

Bare earth cables must always be covered with appropriate sleeving and wired to the earth terminal.

All white moulded accessories are manufactured using Urea Formaldehyde, which has similar inherent properties to antimicrobial additives that inhibit the growth of infectious diseases. All products were independently tested and achieved a 99.9% kill rate across all four types of the strains of bacteria - MRSA, E-Coli, Salmonella, and Klebsiella Pneumoniae.

Errors & Omissions excluded. Specification is subject to change without notice.

V1.0

Scolmore International Ltd, 1 Scolmore Park, Landsberg, Lichfield Road Ind. Estate, Tamworth, Staffordshire, B79 7XB

Telephone: 01827 63454

E-mail: sales@scolmore.com, technical@scolmore.com

Facsimile: 01827 63362

Website: www.scolmore.com

CLICK MODE

Scolmore
GROUP

Scolmore International Ltd
1 Scolmore Park, Landsberg
Lichfield Road Industrial Estate
Tamworth, Staffordshire, B79 7XB
t: 01827 63454
f: 01827 63362
e: sales@scolmore.com
w: www.scolmore.com

DECLARATION OF CONFORMITY

1. **Issuer Name** Scolmore International Limited
2. **Issuer Address** 1 Scolmore Park, Landsberg,
Lichfield Road Industrial Estate,
Tamworth, Staffordshire, B79 7XB
3. **Object(s) of Declaration** Mode Flange
 - a. **Group** Blank Plates
 - b. **Model No.** CMA060, CMA081
4. *The object of the declaration described above is in conformity with the requirements of the following Legislations:*
5. *All products contained within the aforementioned comply with the relevant standards and requirements listed below.*

BS 5733 : 2010 + A1 : 2014
6. *I hereby declare that the equipment named above has been designed to comply with the relevant sections of the above referenced specifications. The unit complies with all applicable Essential Requirements of the Directives.*

In conjunction with the above all manufacture and process controls are in accordance with ISO 9001:2008

Signed, for and on behalf of: Scolmore International Limited



Steven Betts BSc - Senior Technical Support Engineer

CE 15



Concise Registration No. 251330

CLICK

OVA