

LOTUS 1700 x 700 SINGLE END BATH



PRODUCT INFORMATION

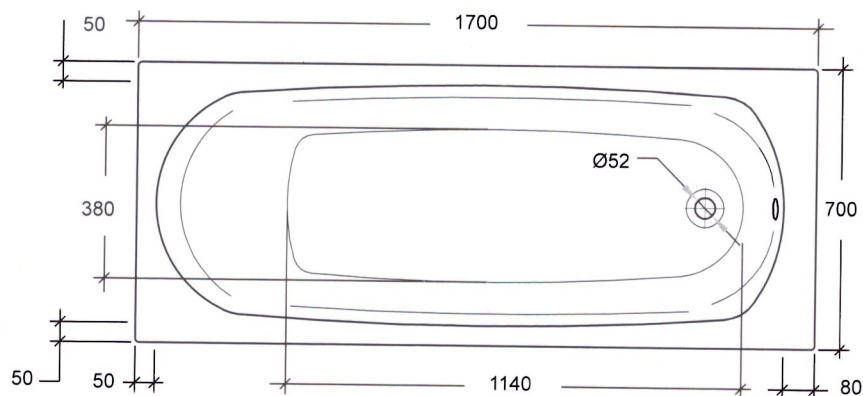
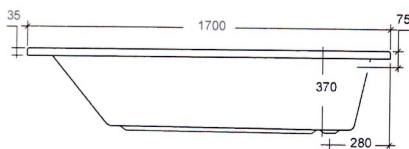
| | |
|---------------|---|
| SANLOT17T/GWH | Lotus 1700 x 700mm single ended acrylic bath 2 tap hole, twin grip |
| SANLOT17WH | Lotus 1700 x 700mm single ended acrylic bath 2 tap hole |

SPECIFICATIONS

- Drilled for 2 taps, 180mm centres
- Encapsulated base board
- High quality acrylic sheet
- Bath panel not included
- Taps and waste not included
- Internal depth 370mm
- Chrome grips (pair) included in twin grip model

| | |
|---------------------------|-----------------------------|
| MATERIAL | Acrylic |
| COLOUR/FINISH | White |
| MANUFACTURER | SONAS Bathrooms |
| FIXING | Supporting leg set provided |
| STANDARDS | EN14516 |
| APPROVALS | CE Approved |
| PRODUCT DIMENSIONS | L1700 x W700mm |

ADDITIONAL INFORMATION For a full range of bath panels and bath accessories please visit www.sonasbathrooms.com





KRISTAL RECTANGULAR LOW PROFILE SHOWER TRAYS



RECTANGULAR



ANTI-SLIP SOLUTION AVAILABLE ON ALL KRISTAL AND JT SHOWER TRAYS

For your additional safety and comfort, the **SONAS Bathroom Collection** can now offer **Anti-Slip** on its entire range of shower trays. For any new shower tray ordered you can request to have it supplied with a factory fitted Anti-Slip coating.

- Factory applied treatment to aid the prevention of slips and falls
- Class C Slip rating - the highest level of approval for domestic use
- Also available in kit form for retro fitting to existing shower trays and baths
- Conforms BS7976-2 2002
- Complete with 3 Year Guarantee
- Also available in kit form for retro fitting to showers and baths (2 Year Guarantee)

| Size | Code Standard | Code Anti-slip | Code 4 Upstand | Code 4 Upstand with Anti-slip |
|------------|---------------|----------------|----------------|-------------------------------|
| 800 x 700 | KLP870100 | ⚠ KLP870100AS | KLP870UPS | ⚠ KLP870UPSAS |
| 900 x 700 | KLP970100 | ⚠ KLP970100AS | KLP970UPS | ⚠ KLP970UPSAS |
| 900 x 760 | KLP976100 | ⚠ KLP976100AS | KLP976UPS | ⚠ KLP976UPSAS |
| 900 x 800 | KLP980100 | ⚠ KLP980100AS | - | - |
| 1000 x 700 | KLP1070100 | ⚠ KLP1070100AS | KLP1070UPS | ⚠ KLP1070UPSAS |
| 1000 x 760 | KLP1076100 | ⚠ KLP1076100AS | - | - |
| 1000 x 800 | KLP1080100 | ⚠ KLP1080100AS | KLP1080UPS | ⚠ KLP1080UPSAS |
| 1000 x 900 | KLP1090100 | ⚠ KLP1090100AS | KLP1090UPS | ⚠ KLP1090UPSAS |
| 1100 x 760 | KLP1176100 | ⚠ KLP1176100AS | - | - |
| 1100 x 800 | KLP1180100 | ⚠ KLP1180100AS | - | - |
| 1100 x 900 | KLP1190100 | ⚠ KLP1190100AS | - | - |
| 1200 x 700 | KLP1270100 | ⚠ KLP1270100AS | - | - |
| 1200 x 760 | KLP1276100 | ⚠ KLP1276100AS | KLP1276UPS | ⚠ KLP1276UPSAS |
| 1200 x 800 | KLP1280100 | ⚠ KLP1280100AS | KLP1280UPS | ⚠ KLP1280UPSAS |
| 1200 x 900 | KLP1290100 | ⚠ KLP1290100AS | KLP1290UPS | ⚠ KLP1290UPSAS |



SPECIFICATIONS

Height of tray: 40mm or 53mm with upstand
Double skinned acrylic capped
90mm high flow waste

RELATED PRODUCTS

FP1290100

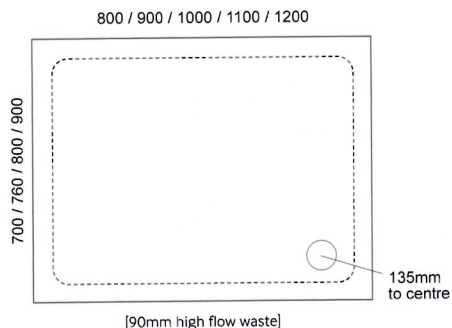
For a list of related shower enclosure options please refer to www.sonasbathrooms.com
Easy Plumb riser kit 3

MATERIAL COLOUR/FINISH MAKE APPROVALS

Resin bonded heavy duty
White
KRISTAL Shower Doors
CE Approved, EN 14527

ADDITIONAL INFORMATION

All shower trays must be installed in accordance with the fitting instructions provided. Please refer to them before installation commences.



All measurements in mm unless stated otherwise



KRISTAL QUADRANT LOW PROFILE SHOWER TRAYS



QUADRANT

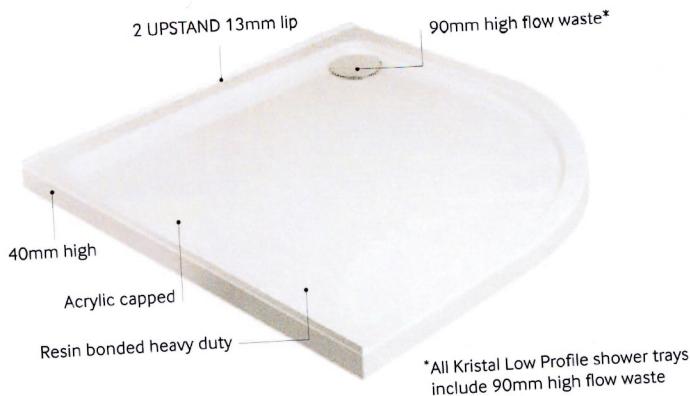


| Size | Code Standard | Code Anti-slip | Code Upstand | Code Upstand with Anti-slip |
|-------------|---------------|----------------|--------------|-----------------------------|
| 800 Q 550R | KLP80Q100 | ⚠ KLP80Q100AS | KLP80QUPS | ⚠ KLP80QUPSAS |
| 900 Q 550R | KLP90Q100 | ⚠ KLP90Q100AS | KLP90QUPS | ⚠ KLP90QUPSAS |
| 1000 Q 550R | KLP100Q100 | ⚠ KLP100Q100AS | - | - |

ANTI-SLIP SOLUTION AVAILABLE ON ALL KRISTAL AND JT SHOWER TRAYS

For your additional safety and comfort, the **SONAS Bathroom Collection** can now offer **Anti-Slip** on its entire range of shower trays. For any new shower tray ordered you can request to have it supplied with a factory fitted Anti-Slip coating.

- Factory applied treatment to aid the prevention of slips and falls
- Class C Slip rating - the highest level of approval for domestic use
- Also available in kit form for retro fitting to existing shower trays and baths
- Conforms BS7976-2 2002
- Complete with 3 Year Guarantee
- Also available in kit form for retro fitting to showers and baths (2 Year Guarantee)



SPECIFICATIONS

Height of tray: 40mm or 53mm with upstand
Double skinned acrylic capped
90mm high flow waste

RELATED PRODUCTS

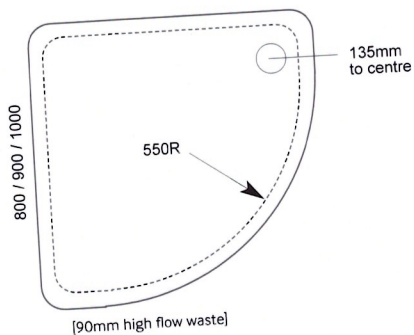
For a list of related shower enclosure options please refer to www.sonasbathrooms.com

FP100Q100
MATERIAL
COLOUR/FINISH
MAKE

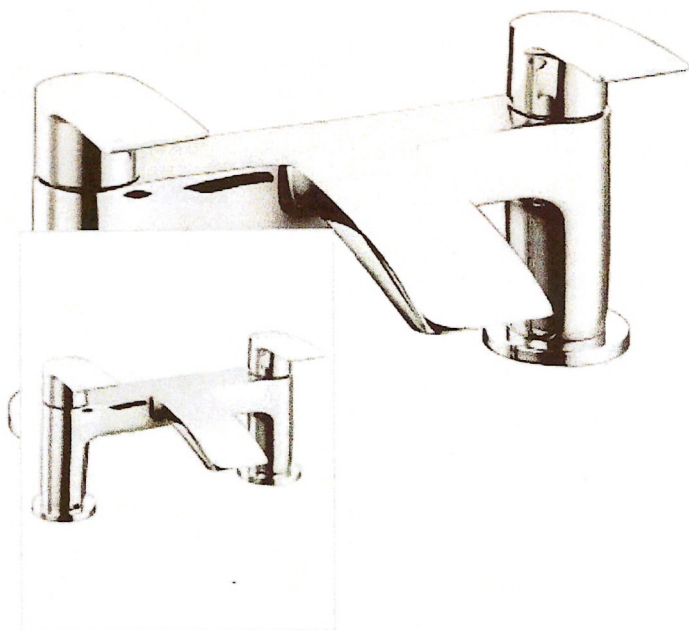
Easy Plumb riser kit 1
Resin bonded heavy duty
White
KRISTAL Shower Doors
CE Approved, EN 14527

ADDITIONAL INFORMATION

All shower trays must be installed in accordance with the fitting instructions provided. Please refer to them before installation commences.



All measurements in mm unless stated otherwise




(<https://www.sonasbathrooms.com/media/catalog/product/cache/1/in>)

Corby Bath Filler

RRP: €135.00

Quantity

ADD TO QUOTE 

Product Code: MYKCOR003

Product Description:

Corby Bath Filler

| |
|-------------------------|
| Weight |
| Style |
| Min. Operating Pressure |

2.5kg

Contemporary

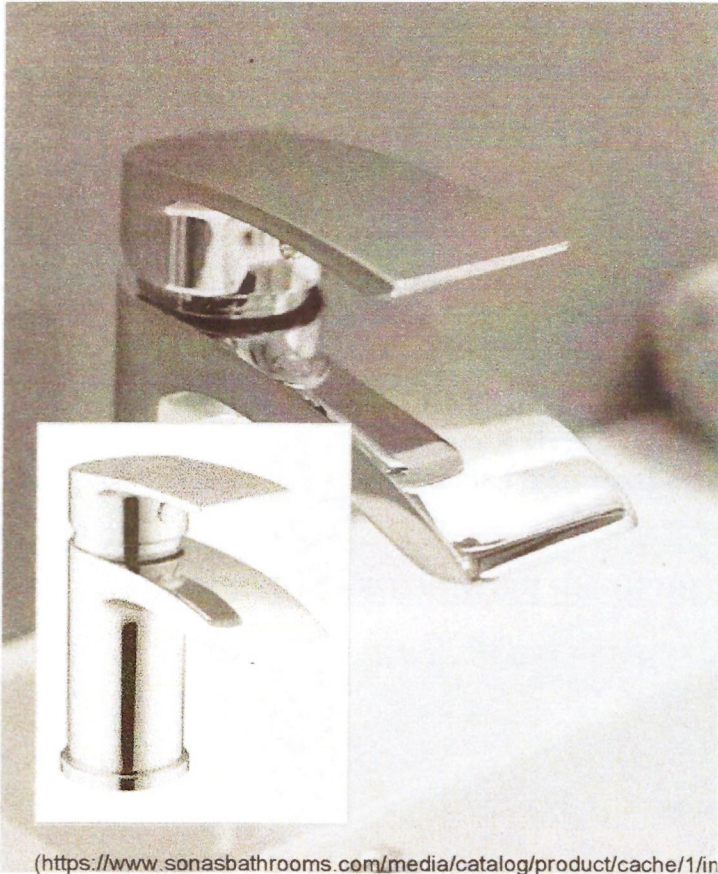
0.2 bar

Additional Information:

- Contemporary design
- Minimum operating pressure 0.2 bar
- Manufactured from brass with chrome finish
- Ceramic disc technology
- Bath waste not included
- Suitable for the following systems; Gravity Fed

- Pumped; Unvented or Combi
- 5 Year guarantee

Corby Basin Mixer



(<https://www.sonasbathrooms.com/media/catalog/product/cache/1/in>)



(<https://www.sonasbathrooms.com/media/catalog/product/cache/1/in>)

Corby Basin Mixer

| |
|-------------------------|
| Weight |
| Style |
| Min. Operating Pressure |

1.6kg

Contemporary

0.2 bar

Additional Information:

- Contemporary design
- Minimum operating pressure 0.2 bar
- Manufactured from brass with chrome finish
- Ceramic disc technology
- Click clack basin waste included
- Suitable for the following systems; Gravity Fed
- Pumped; Unvented or Combi
- 5 Year guarantee



Pegler Yorkshire

Pegler Yorkshire Group Limited, St. Catherine's Avenue, Doncaster, South Yorkshire, DN4 8DF.

Telephone: +44 (0) 844 243 4400 Fax: +44 (0) 844 243 9870

Website: www.pegleryorkshire.co.uk

CERTIFICATE OF CONFORMITY DATED: 26/09/2014

**FITTINGS SUPPLIED TO: Grafton Merchanting ROI Limited
Heron House, Corrig Road,
Sandyford Industrial Estate,
Dublin 18.**

YORKSHIRE POTABLE IRISH ISR PRODUCT RANGE

Order No:
Invoice No:
Product:

WE HEREBY CERTIFY that the fittings

1. Have been manufactured, tested and inspected in accordance with the quality management system used for fittings manufactured by Pegler Yorkshire Group Ltd. And under the British Kitemark Product Certification Scheme (Licence No's KM 15121 & KM5505), please refer to the relevant Kitemark license for actual sizes and products covered within the range and against the Registered Firm Approval of BS EN ISO 9001: 2008 (Certificate Number FM 00305)
2. Have been manufactured from material which conforms to the requirements of the latest issue of BS EN 12163 / 64 / 65 / 67 / 68 and BS EN 1982. BS EN 13828 and BS5154.
3. When assembled with tubes of suitable dimensions the fittings are capable of withstanding an internal hydraulic test pressure, quoted in our current catalogue, without showing any signs of leaking or cracking and also that they have been manufactured and tested strictly in accordance with the requirements of the relevant part of BS EN 1254.

For Pegler Yorkshire Group Ltd

.....
P. Thornton
Quality Manager – Systems / Approvals

RGW



TURIN 2 DOOR VANITY UNIT



PRODUCT INFORMATION

SPT602D Turin Gloss White 600mm floor standing vanity unit, 1 tap hole, 2 soft closing doors

FEATURES

Ceramic washbasin included
Metal handle with chrome finish
Tap not included

RELATED PRODUCTS

SPT603D Turin Gloss White 600mm floor standing vanity unit, 1 tap hole, 3 soft closing drawers
For a full range of tap products please refer to www.sonasbathrooms.com

MATERIAL

Constructed from 16mm melamine panel gloss laquered with highly moisture resistant finish

AFTERCARE

Always ensure bathroom has sufficient ventilation and remove any excess water from the product after use

COLOUR/FINISH

Gloss White

FIXING

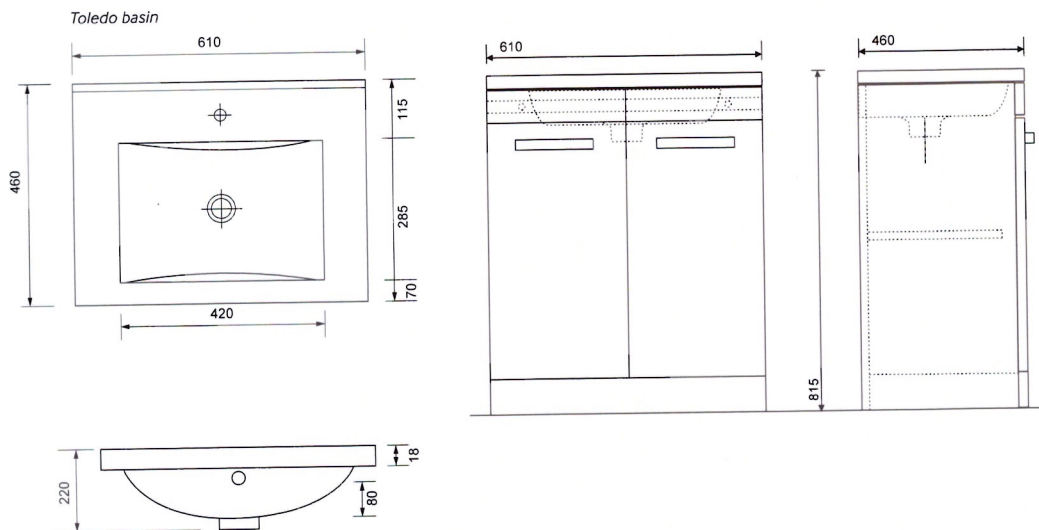
Fixing kit supplied

APPROVALS

EN14688

PRODUCT DIMENSIONS

W610 x H815 x D460mm



All measurements shown are in millimetres.
Drawing sizes are not to scale.

Radiator valves - Inta Radiator Valves

Introduction

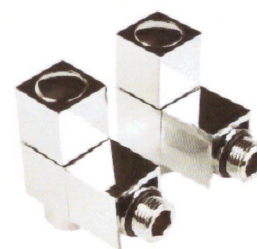
You really can achieve the wow factor with inta's radiator valve range which are available from inta commercial and showering collection.



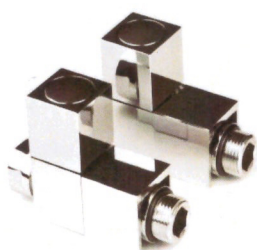
modern angled chrome radiator valve
1025CP



minimalistic angled chrome radiator valve
1023CP



square angled chrome radiator valve
1030CP



square straight chrome radiator valve
1031CP



modern straight chrome radiator valve
1024CP



modern corner chrome radiator valve
1032CP

Product Range

| Description | Code |
|---|--------|
| Modern angled chrome radiator valve | 1025CP |
| Minimalistic angled chrome radiator valve | 1023CP |
| Square angled chrome radiator valve | 1030CP |
| Square straight chrome radiator valve | 1031CP |
| Modern straight chrome radiator valve | 1024CP |
| Modern corner chrome radiator valve | 1032CP |